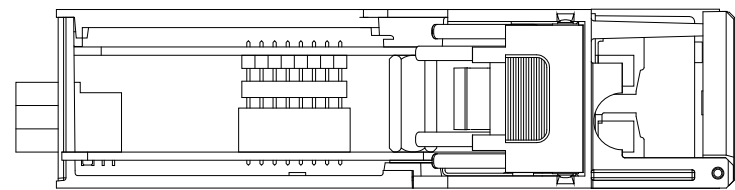
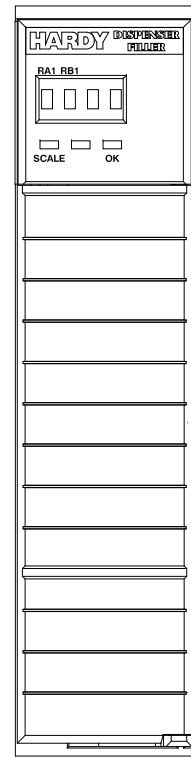
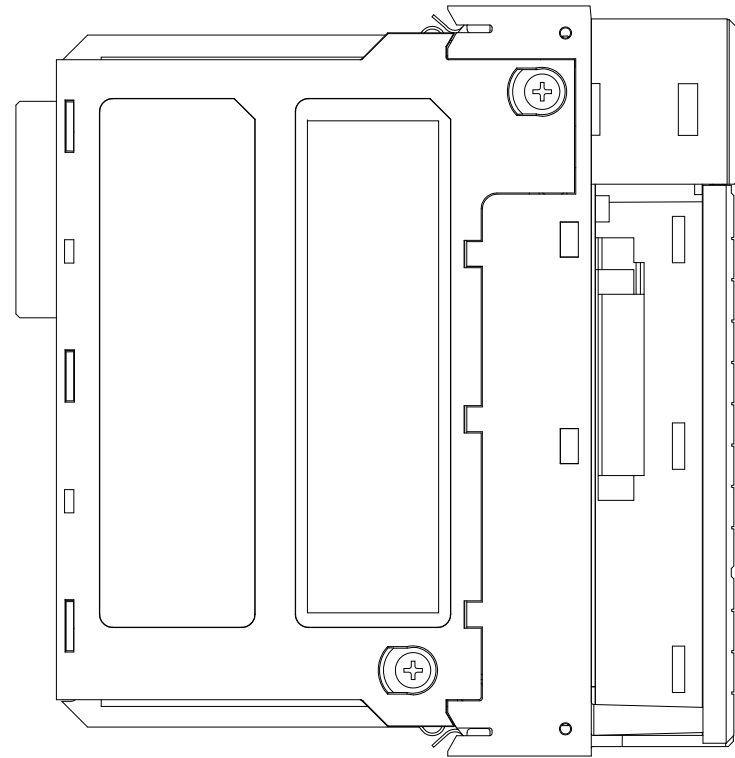


REV.	ECO/DDC	DESCRIPTION	DATE	DRAFT	CHECK	APV'D
A	----	RELEASED.	01-17-12	V.J.C.	L.E.G.	V.J.C.

# HI 1756-1DF SINGLE CHANNEL FILLER/DISPENSER MODULE



3. SEE SHEET 3 FOR DISPENSER/FILLER MODULE RELAY INTERFACE CONNECTOR PIN DESIGNATIONS.
2. SEE SHEET 2 FOR DISPENSER/FILLER MODULE WEIGH CHANNEL INTERFACE CONNECTOR PIN DESIGNATIONS.
1. SEE 0596-0322-01 USER'S GUIDE FOR ADDITIONAL INFORMATION.


## NOTES: UNLESS OTHERWISE SPECIFIED

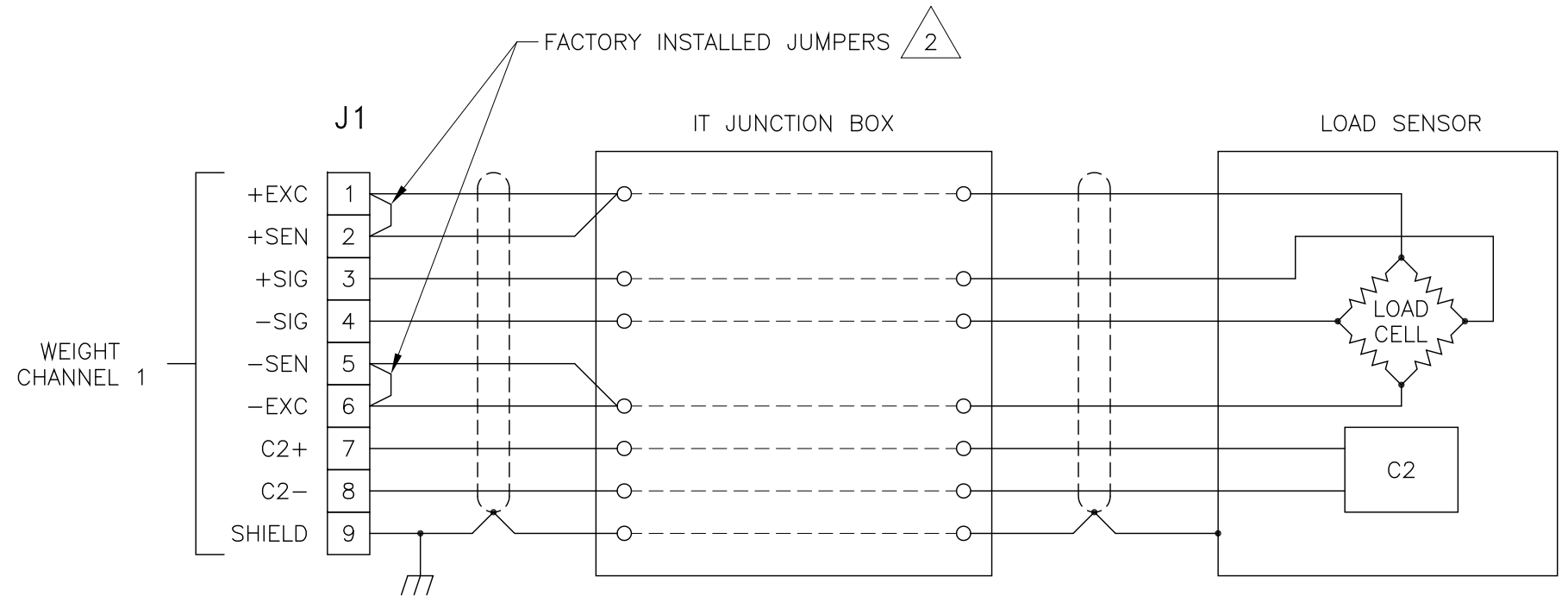
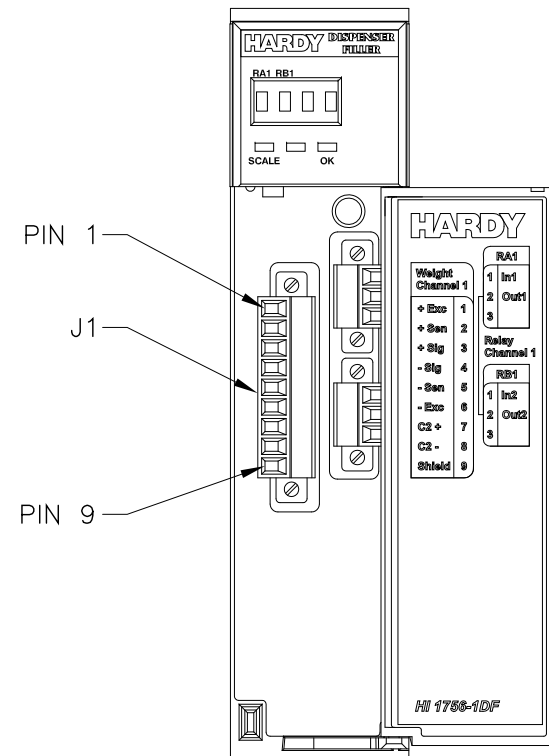
**PROPRIETARY NOTICE**  
 ALL DATA AND INFORMATION CONTAINED IN OR DISCLOSED BY THIS DOCUMENT IS CONFIDENTIAL AND PROPRIETARY INFORMATION OF HARDY PROCESS SOLUTIONS INC. AND ALL RIGHTS THEREIN ARE EXPRESSLY RESERVED. BY ACCEPTING THIS MATERIAL THE RECIPIENT AGREES THAT THIS MATERIAL AND THE INFORMATION CONTAINED THEREIN IS HELD IN CONFIDENCE AND IN TRUST AND SHALL NOT BE USED, COPIED, REPRODUCED IN WHOLE OR IN PART, NOR ITS CONTENTS REVEALED IN ANY MANNER TO OTHERS, EXCEPT TO MEET THE SPECIFIC PURPOSE FOR WHICH IT WAS DELIVERED.

ITEM	QTY	PART NUMBER	DESCRIPTION	COMMENTS	
		0584-0072	I/I DIAGRAM, DISPENSER/FILLER MODULE, HI 1756-1DF, SINGLE CHANNEL		
PARTS LIST					
UNLESS OTHERWISE SPECIFIED DIMENSIONS ARE IN INCHES TOLERANCES ARE: FRACTIONS: N/A DECIMALS: .XX = ±.03 .XXX = ±.010 ANGLES: ±0°, 30'		CONTRACT NO.		<b>HARDY</b> PROCESS SOLUTIONS	
MATERIAL		APPROVALS			
		DRAWN V. CHULA	DATE 01-13-12		
FINISH		CHECKED L. GUIRIBA	DATE 01-17-12		
DO NOT SCALE DRAWING		APPROVED V. CHULA		DATE 01-17-12	
		ISSUED V. CHULA		DATE 01-17-12	
		PRODUCTION	DATE		
		SIZE D	FSCM 21316	DRAWING NO. 0584-0072	REV. A
		FILE NAME: 584072A1.DWG		SCALE: NONE	SHEET 1 OF 3

**NOTES:**

**HI 1756-1DF SINGLE CHANNEL FILLER/DISPENSER MODULE WEIGHT CHANNEL CONNECTOR WIRING**

1. IF CONDUIT IS USED, DO NOT RUN LOAD CELL CABLE PARALLEL TO, OR IN SAME CONDUIT WITH, POWER WIRING, RELAY CABLE OR OTHER HIGH ENERGY CABLES.
2.  FACTORY INSTALLED JUMPERS TO REMAIN IN PLACE ONLY FOR FOUR WIRE NON C2 LOAD CELL CONNECTION. JUMPERS TO BE REMOVED FOR SIX WIRE NON C2 OR EIGHT WIRE C2 LOAD CELL CONNECTIONS. EXCITATION AND SENSE WIRES TO BE CONNECTED TOGETHER IN JUNCTION BOX.
3. REQUIRED LOAD CELL CABLE FOR C2 SECOND GENERATION CALIBRATION SYSTEM AND INTEGRATED TECHNICIAN: HARDY PROCESS SOLUTIONS P/N 6020-0001.
4. SEE 0596-0322-01 USER'S GUIDE FOR ADDITIONAL INFORMATION ON LOAD CELL CONNECTIONS.
5. TERMINAL BLOCK WIRE SIZE RANGE: 22 AWG MIN / 16 AWG MAX. WIRE TIGHTENING TORQUE: 2 LB-IN MINIMUM / 4 LB-IN MAXIMUM.
6. FOR CLARITY, ONLY TWO LOAD SENSOR CONNECTIONS ARE SHOWN.

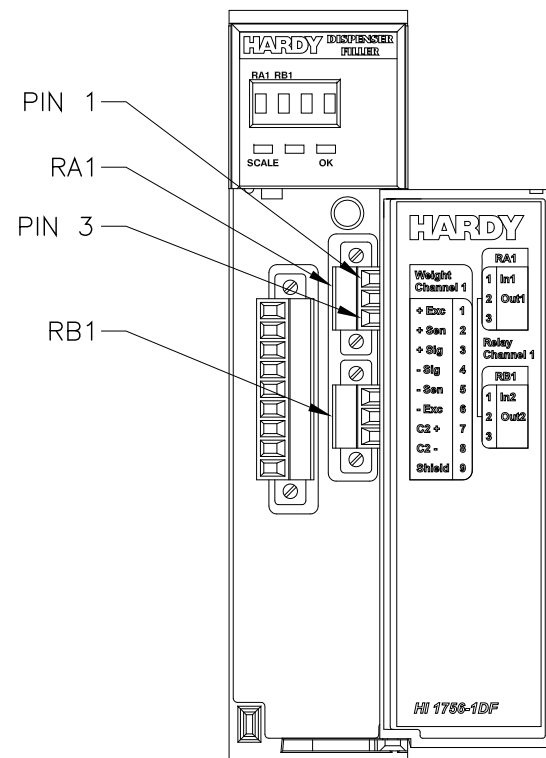


<b>HARDY</b> PROCESS SOLUTIONS			
TITLE I/I DIAGRAM, DISPENSER/FILLER MODULE, HI 1756-1DF, SINGLE CHANNEL			
SIZE	FSCM	DRAWING NO.	REV.
D	21316	0584-0072	A
FILE NAME: 584072A1.DWG		SCALE: NONE	SHEET 2 OF 3

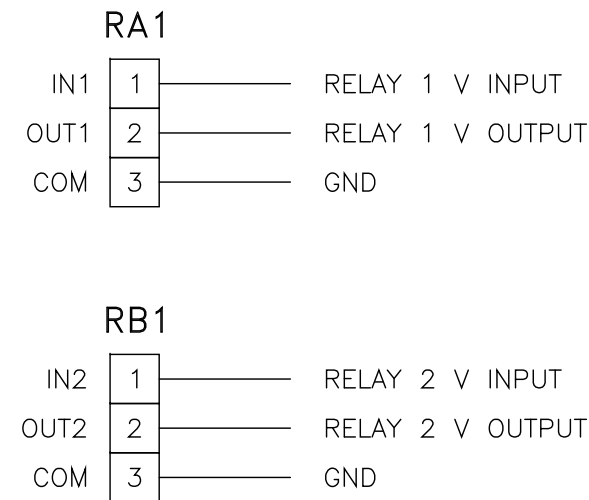
**NOTES:**

1. IF CONDUIT IS USED, DO NOT RUN RELAY CABLES PARALLEL TO, OR IN SAME CONDUIT WITH LOAD CELL CABLES.
2. AC RELAY OPERATION RATINGS: 110–240 VAC, .5 AMP LOAD, 3–12 VDC CONTROL  
SINGLE CYCLE SURGE: 115/120 (50/60Hz) AMP PEAK
3. DC RELAY OPERATION RATINGS: 0–24 VDC, 3 AMP LOAD, 3–12 VDC CONTROL  
10 MILLISECOND SURGE: 9 AMP PEAK
4. RELAY TYPES: SOLID STATE.
5. SEE 0596–0322–01 USER'S GUIDE FOR ADDITIONAL INFORMATION ON RELAY CONNECTIONS, MAXIMUM LOAD CURRENT AND TEMPERATURE RANGE.
6. TERMINAL BLOCK WIRE SIZE RANGE: 18 AWG MIN / 16 AWG MAX.  
WIRE TIGHTENING TORQUE: 2 LB-IN MINIMUM / 4 LB-IN MAXIMUM.

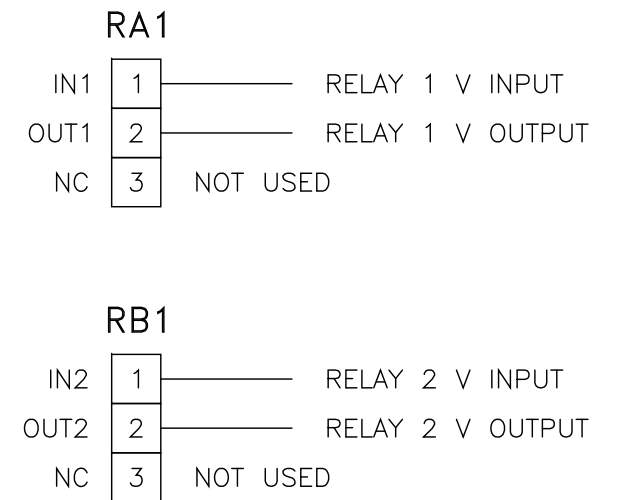
**HI 1756–1DF SINGLE CHANNEL FILLER/DISPENSER MODULE RELAY CONNECTOR WIRING**



DC RELAYS – CHANNEL 1  
[GREEN CONNECTORS]



AC RELAYS – CHANNEL 1  
[BLACK CONNECTORS]



<b>HARDY</b> PROCESS SOLUTIONS			
TITLE I/I DIAGRAM, DISPENSER/FILLER MODULE, HI 1756–1DF, SINGLE CHANNEL			
SIZE	FSCM	DRAWING NO.	REV.
D	21316	0584–0072	A
FILE NAME: 584072A1.DWG		SCALE: NONE	SHEET 3 OF 3